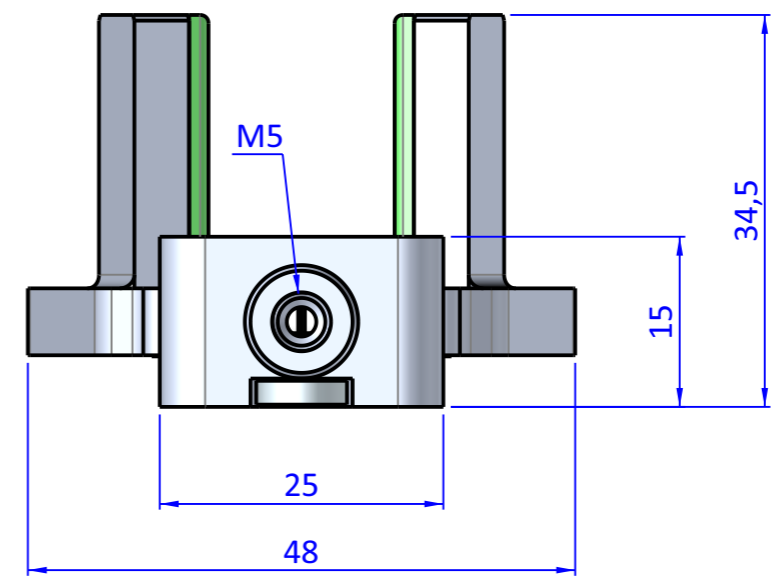
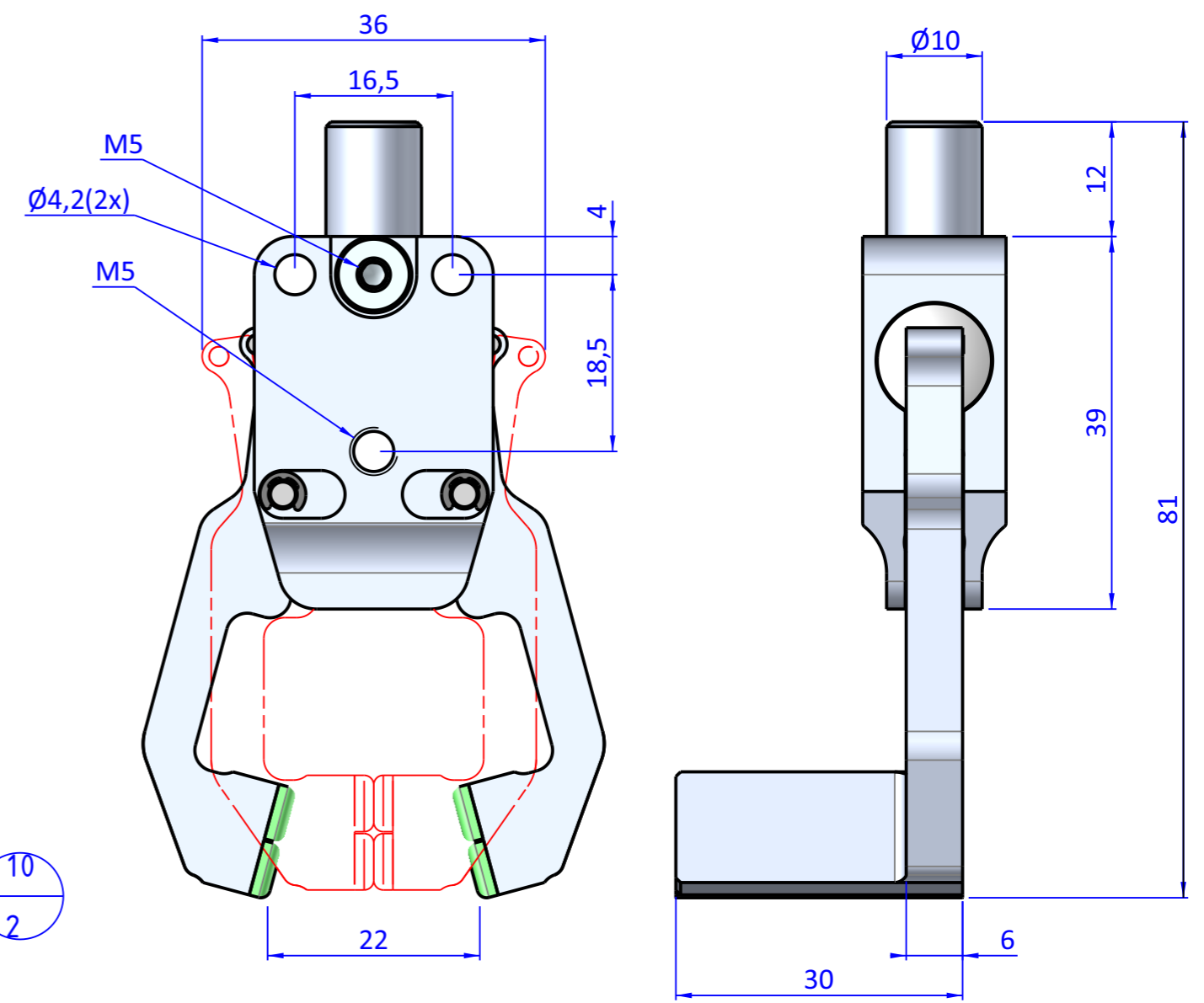
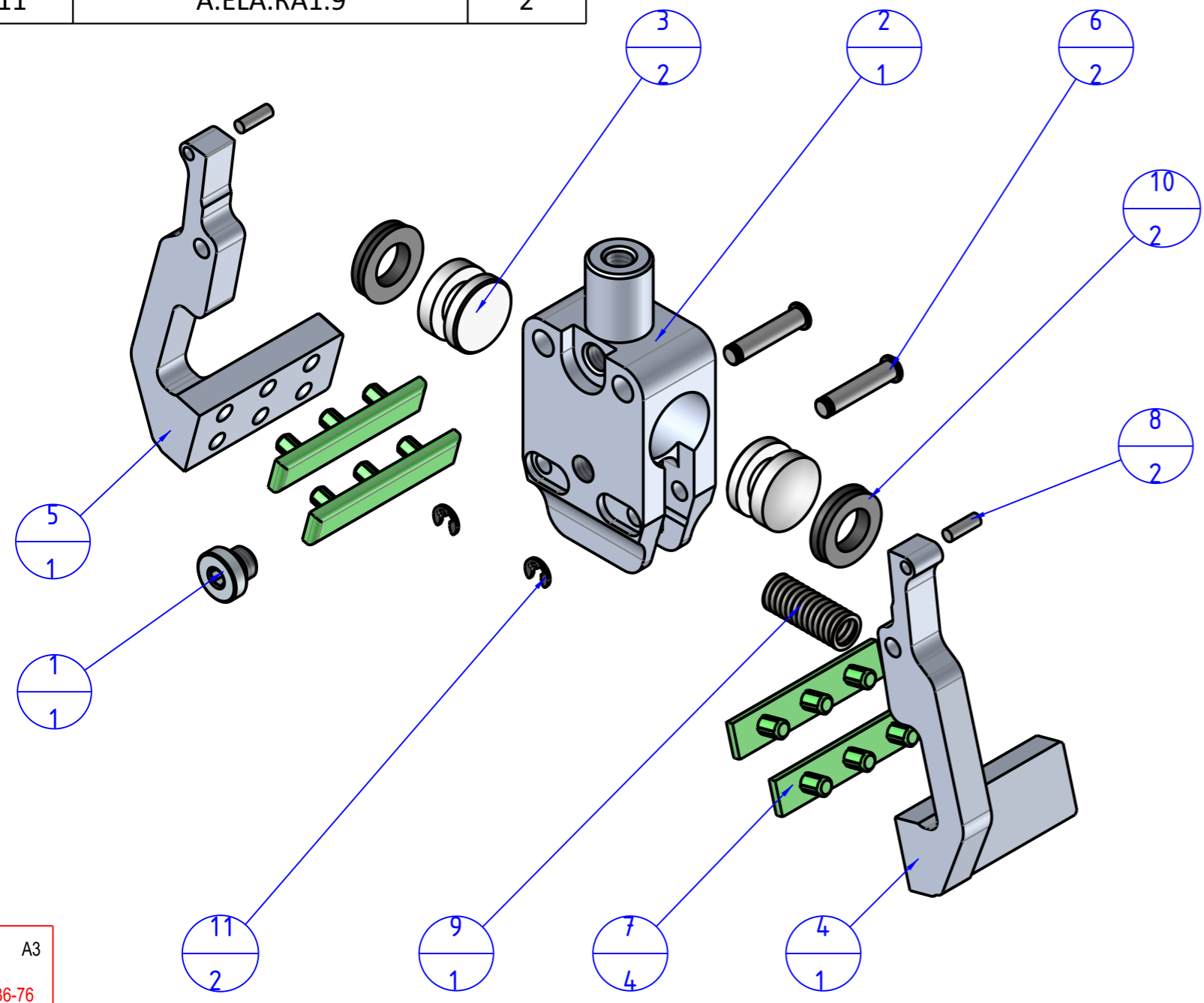



THE PROPERTY OF THE DRAWING IS ESTABLISHED BY LAW. IT IS FORBIDDEN TO PRODUCE OR SHOW IT TO THIRD PART. WITHOUT A WRITTEN AGREEMENT.

Item	Name	Q.ty
1	CA.08.14.013	1
2	GZA.10.12.1.L.01	1
3	GZA.10.12.2	2
4	GZA.10.12.3.AHGD	1
5	GZA.10.12.3.AHGS	1
6	SP.3x15SS	2
7	GZA.10.12.6.V	4
8	GZA.10.12.9	2
9	M.6x25.SH	1
10	PSP.1269255	2
11	A.ELA.RA1.9	2



Format A3
UNI 936-76

 FPS FPSERVICES AUTOMATION		DESIGNED FROM		REVIEW
		FPS Automation		A
GENERAL TOLERANCE		DATE	WEIGHT	
UNI - ISO 2768		20/07/2023	0,049kg	
CLASSE f		DESCRIPTION	CODE	
		CA.GZA.10.12.AHG	CA.GZA.10.12.AHG	